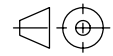
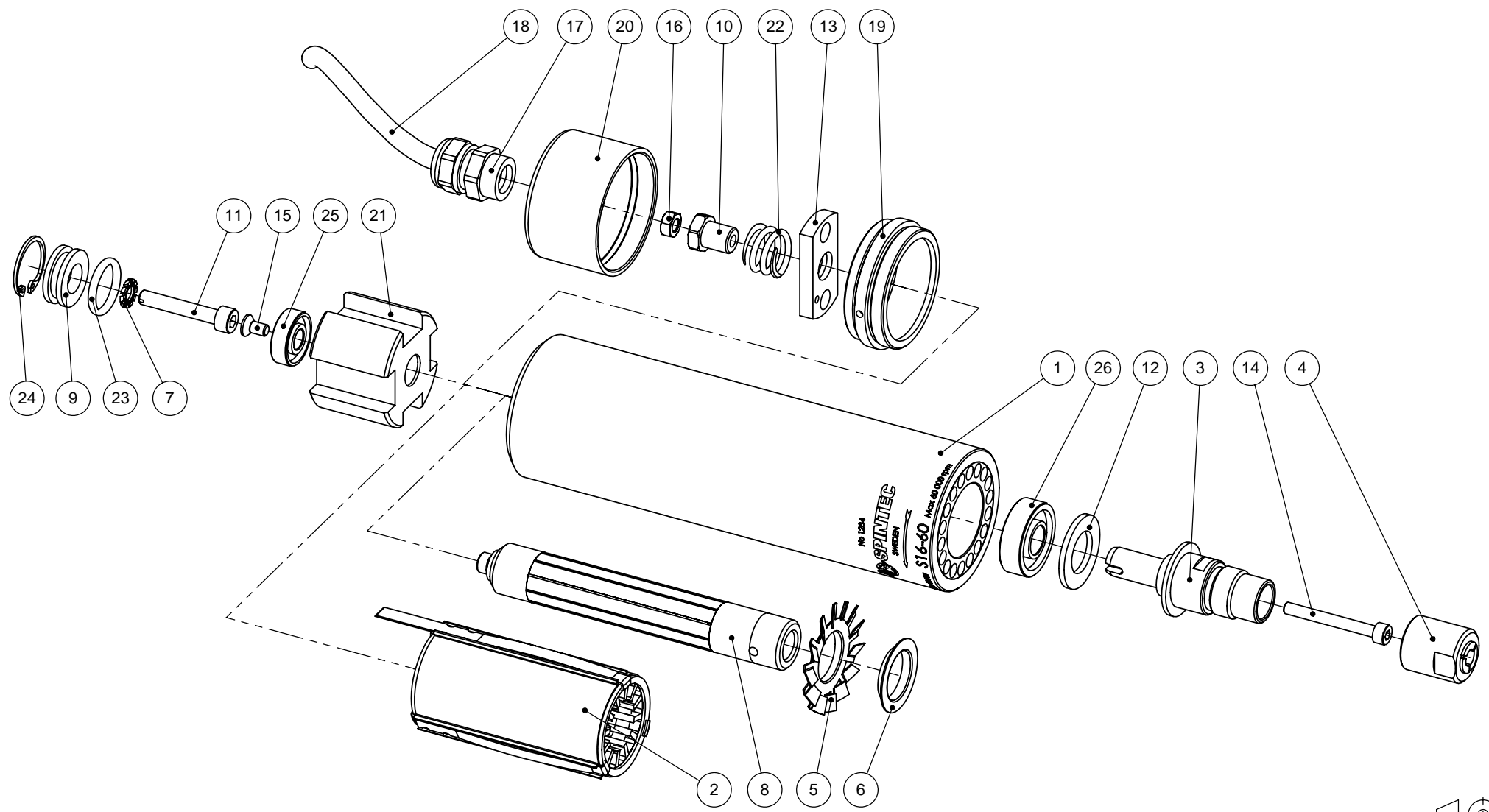



Rev	Description	Date	Sign
-----	-------------	------	------



SURFACE ROUGHNESS IF NOT STATED		DRAWN BY. H. Hofström			
TOLERANCE IF NOT STATED		HEAT TREATMENT			
SHARP EDGES BROKEN		SURFACE TREATMENT		DATE 2009-11-11	ISSUE P01
MATERIAL	TITLE Spindel komplett S16-60			ARTICLE NUMBER S16-60	
SCALE 3:4					