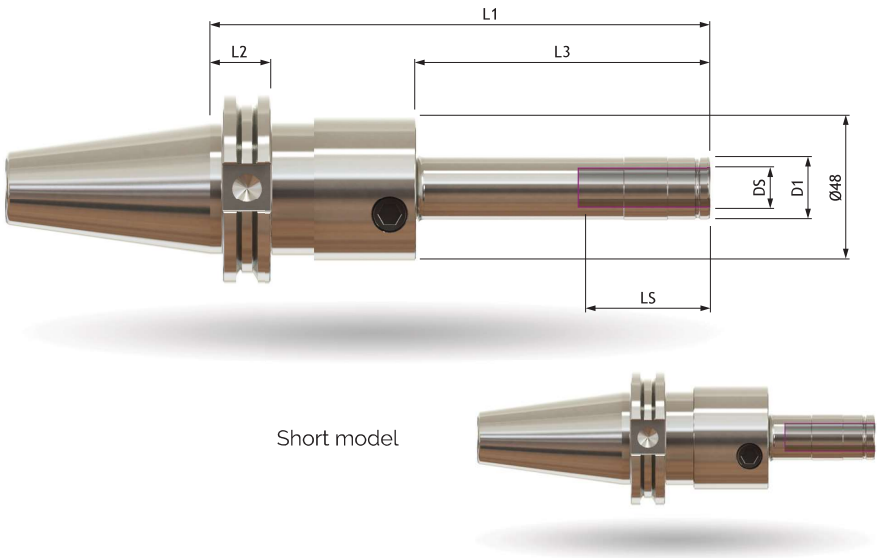


# HYDROCHUCKS

CAT / ASME BS.50

HCP+



D5 Ømm	Mount type.	D1 Ømm	L1 mm	L2 mm	L3 mm	L5 mm	Art.no
12	CAT 40	22,5	123	19,05	50	47,5	59033+
	CAT 40	22,5	173	19,05	100	47,5	59043+
	CAT 50	22,5	105	19,05	50	47,5	59083+
	CAT 50	22,5	155	19,05	100	47,5	59093+

= dimension compatible with reduction sleeve.

Choose your own length (L1) of HCP+. Specify Art.no / L1 on order.

