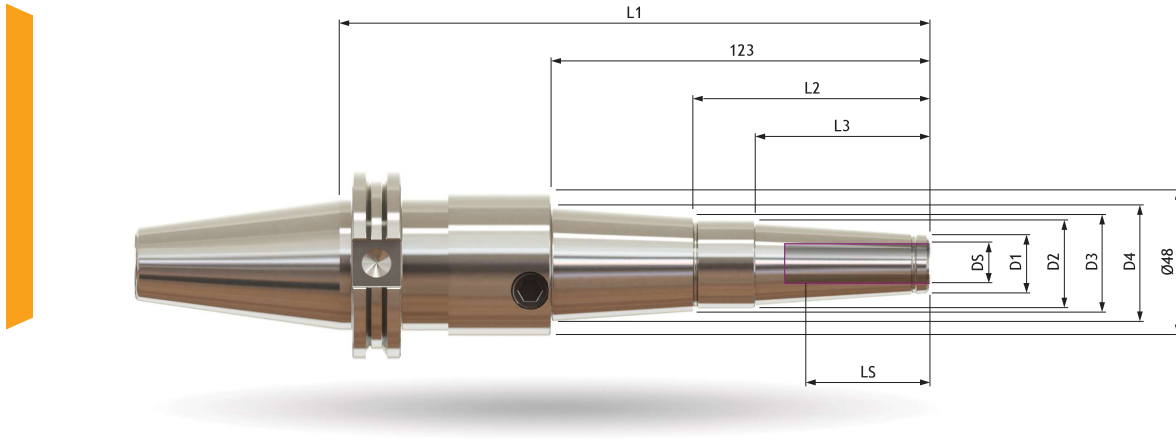


# HYDROCHUCKS

CAT / ASME BS.50

## HCPK+



| DS<br>Ømm | Mount<br>type. | D1<br>Ømm | D2<br>Ømm | D3<br>Ømm | D4<br>Ømm | L1<br>mm  | L2<br>mm | L3<br>mm | L5<br>mm | Art.no |
|-----------|----------------|-----------|-----------|-----------|-----------|-----------|----------|----------|----------|--------|
| 12        | CAT 40         | 20        | 30        | 32        | 40,5      | 195       | 76,8     | 57       | 47,5     | 59263+ |
|           | CAT 40         | 20        | 30        | 32        | 40,5      | 235 - 480 | 76,8     | 57       | 47,5     | ▲      |
|           | CAT 50         | 20        | 30        | 32        | 40,5      | 177       | 76,8     | 57       | 47,5     | 59273+ |
|           | CAT 50         | 20        | 30        | 32        | 40,5      | 217 - 445 | 76,8     | 57       | 47,5     | ▲      |
| 20        | CAT 40         | 32        | 39        | 42        | 50,5      | 195       | 74,8     | 55       | 52,5     | 59267+ |
|           | CAT 40         | 32        | 39        | 42        | 50,5      | 235 - 480 | 74,8     | 55       | 52,5     | ▲      |
|           | CAT 50         | 32        | 39        | 42        | 50,5      | 177       | 74,8     | 55       | 52,5     | 59277+ |
|           | CAT 50         | 32        | 39        | 42        | 50,5      | 217 - 445 | 74,8     | 55       | 52,5     | ▲      |

▲ = dimension compatible with reduction sleeve.

▲ = Specify art.no / L1 on order (L1 = length of your choice).

Choose your own length (L1) of HCPK+. Specify Art.no / L1 on order.

