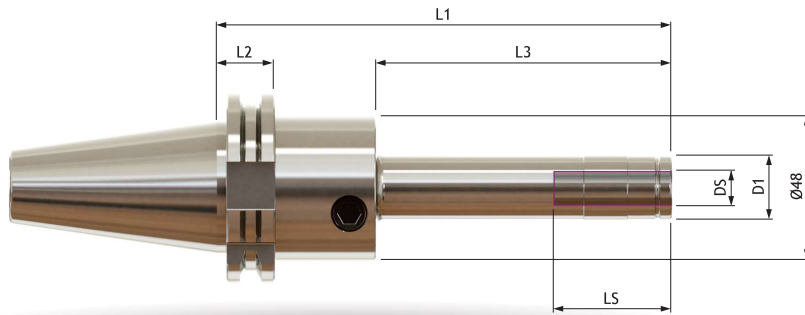


HYDROCHUCKS

ISO 7388 / DIN 69871

HCP+



Short model



DS Ømm	Mount type.	D1 Ømm	L1 mm	L2 mm	L3 mm	L5 mm	Art.no
12	ISO 40	22,5	105	19,1	50	44	59003+
	ISO 40	22,5	155	19,1	100	44	59013+
	ISO 50	22,5	105	19,1	50	44	59053+
	ISO 50	22,5	155	19,1	100	44	59063+

= dimension compatible with reduction sleeve.

Choose your own length (L1) of HCP+. Specify Art.no / L1 on order.

