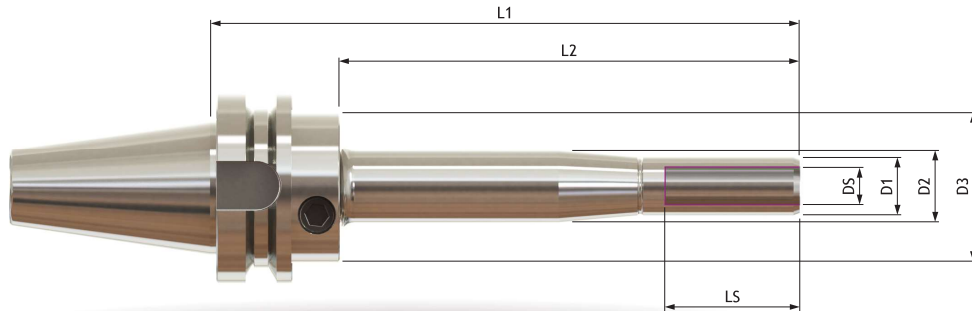


# HYDROCHUCKS

BT-MAS

HCPS



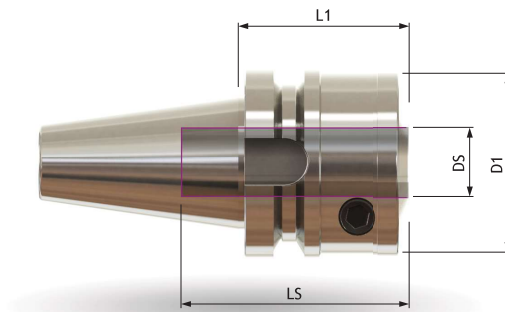
Short model



DS Ømm	Mount type.	D1 Ømm	D2 Ømm	D3 Ømm	L1 mm	L2 mm	L3 mm	L5 mm	Art.no
12 ▲	BT 40	19,5	----	48	143	100	----	42	59603
	BT 50	19,5	----	48	154	100	----	42	59613
	BT 40	19,5	24	48	193	150	52	42	59703
	BT 50	19,5	24	48	204	150	52	42	59713

▲ = dimension compatible with reduction sleeve.

HCK+



HCK+ has an extended membrane which provides 600 Nm compared to 320 Nm on a standard Ø20 mm chuck.

DS Ømm	Mount type.	D1 Ømm	L1 mm	L5 mm	Art.no
20	BT 40	61	56	52,5	66125+